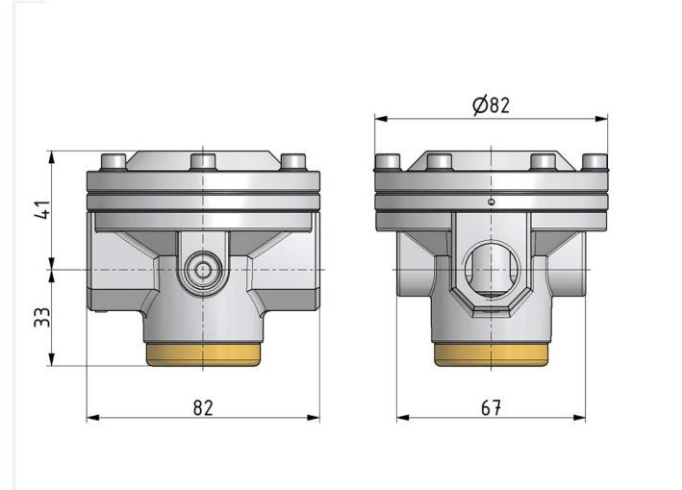
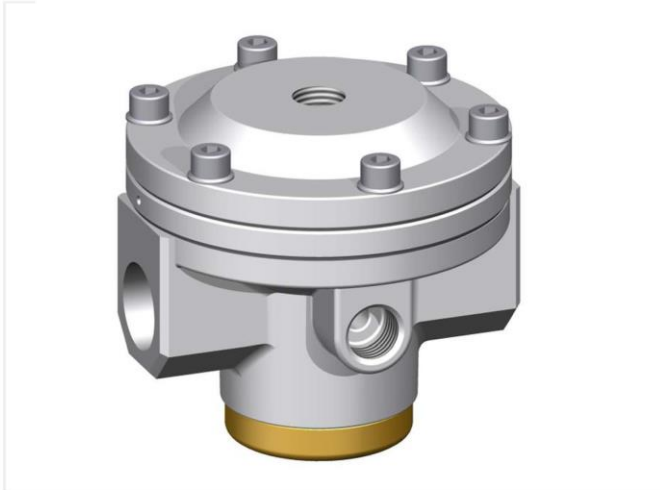


## Pressure-regulator of the Standard series

Pressure regulator G1/2 pneumatic pilot operated (G1/4)

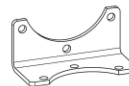


series	port size	flow rate	adjustment range P2 max.	weight
Standard	G 1/2	5800 l/min	16 bar	0.841 kg

### technical data

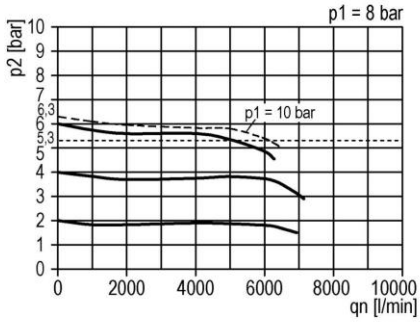
- **description:** air line regulator with diaphragm and relieving feature, pneumatic pilot-operated (1:1)
- **medium:** compressed air, neutral gases
- **supply pressure P1 max.:** 25 bar
- **medium and ambient temperature:** -10 to 60 °C

### accessories

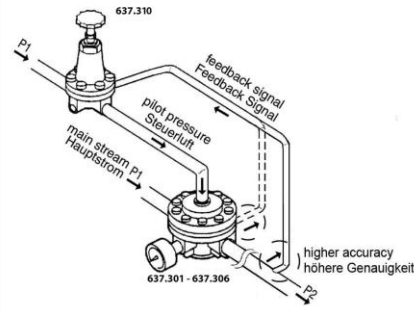


- mounting bracket:  
Art. No. 101233 - Type No. H 84

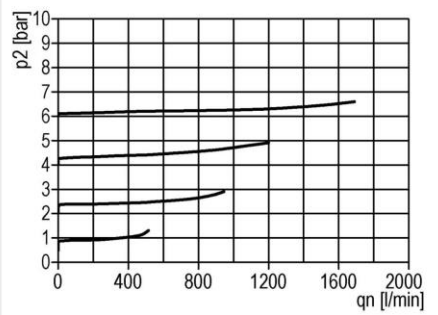
flow characteristic



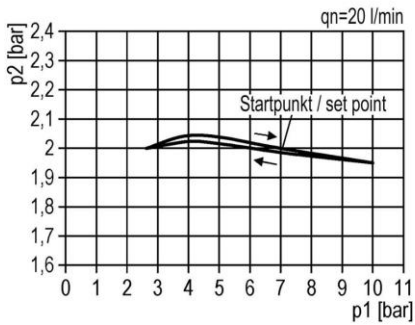
operating conditions



exhaust characteristics



pressure characteristic



symbol

